

# *Frigidaire*

**INTERNATIONAL**

## Factory Parts Catalog

|                           |             |             |
|---------------------------|-------------|-------------|
| Product No.               | FGTD20V4CWD | FGTD20V4CWE |
| Series                    | 134A SYSTEM | 134A SYSTEM |
| Color                     | white       | white       |
| Volts                     | 220         | 220         |
| Wiring Diagram            | 240583901   | 241845601   |
| Owner's Guide             | 240432701   | 240432701   |
| Market                    | Export      | Export      |
| Energy Guide              | 240460365   | 240460365   |
| Service Data Sheet        | 240586202   | 240586202   |
| Installation Instructions | 240568301   | 240568303   |

INTERNATIONAL  
3 Parkway Center, Pittsburgh, PA 15220

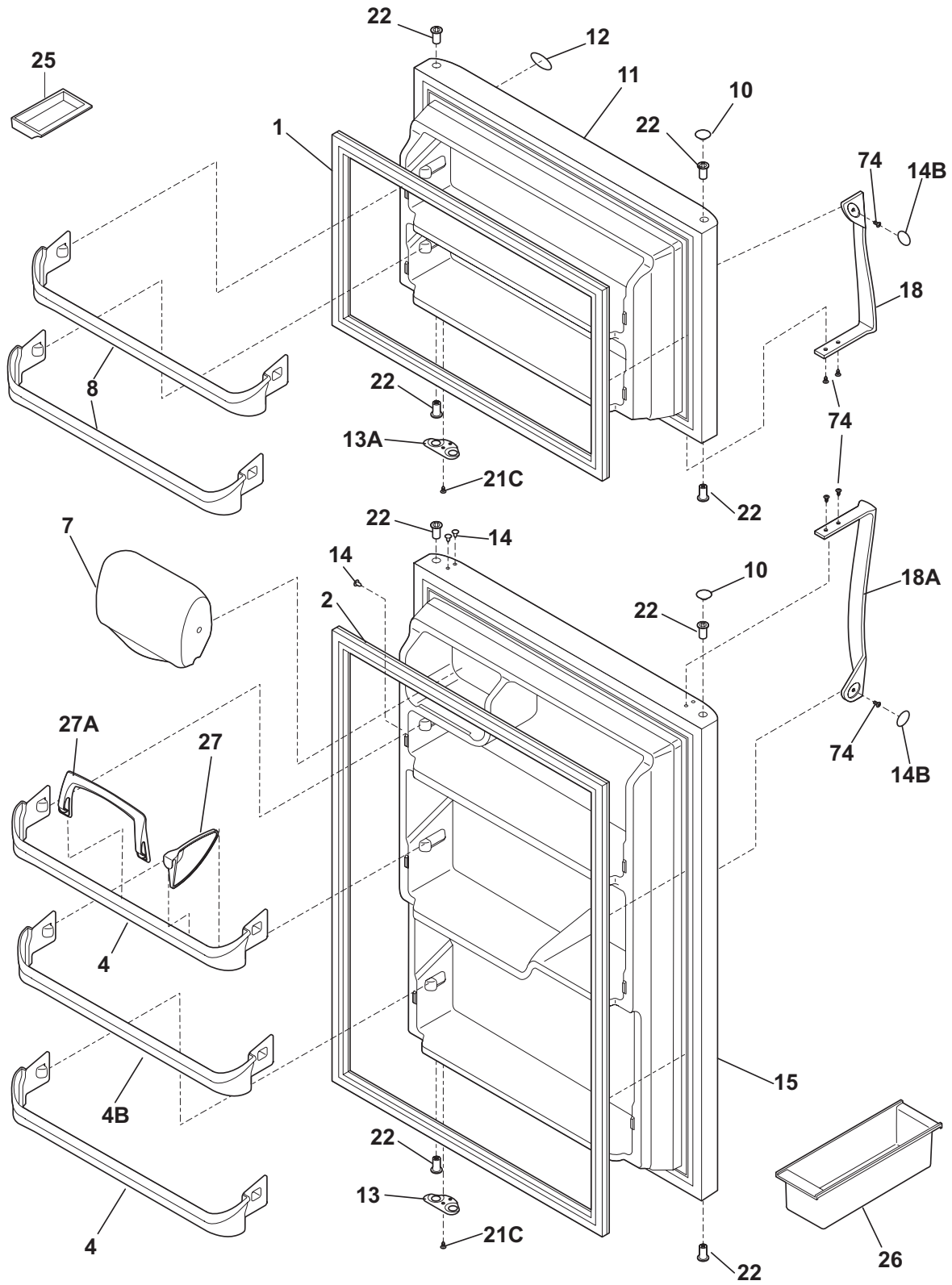
Publication No.  
**5995501987**  
07/10/11  
(EN/SERVICE/RLF)  
390

### **TOP-MOUNT REFRIGERATOR**

Model No.  
**FGTD20V4C**

Copyright © 2007 Electrolux Home Products, Inc.  
All rights reserved.

DOOR



N05DCDCKA2

---

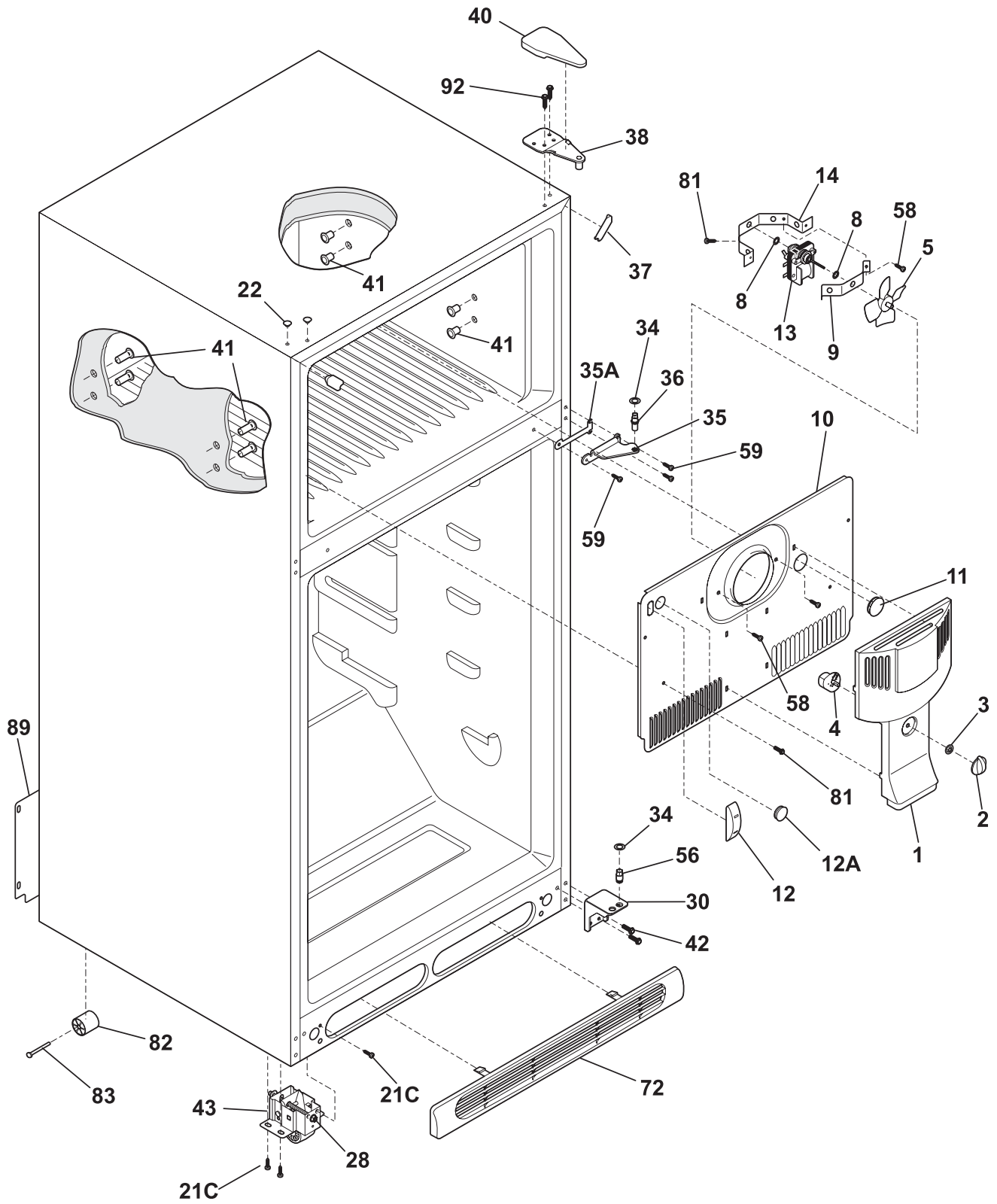
**DOOR**


---

*Model Index:* A FGTD20V4C (FGTD20V4CWD)  
 B FGTD20V4C (FGTD20V4CWE)

| POS. NO | PART NO.   |     | DESCRIPTION                               |
|---------|------------|-----|---|
| 1       | 240542115  | A - | Gasket-frzr door, white, magnetic         |
| 1 #     | 241872503  | - B | Gasket-frzr door, white, magnetic         |
| 2       | 240542118  | A - | Gasket-refr door, white, magnetic         |
| 2 #     | 241872506  | - B | Gasket-refr door, white, magnetic         |
| 4       | 240534901  | A B | Rack-door                                 |
| 4B      | 240534701  | A B | Rack-door, 4B                             |
| 7       | 240337712  | A B | Door-dairy                                |
| 8       | 240534801  | A B | Rack-door                                 |
| 10      | 240381301  | A B | Plug-button, white, hinge brg hole, (2)   |
| 11      | 240409901  | A B | Door-frzr, white, complete assy           |
| 12      | 240589601  | A B | Label-nameplate                           |
| 13      | 240312403  | A B | Door Stop, white, ref                     |
| 13A     | 240312404  | A B | Door Stop, white, frzr                    |
| 14      | 240494001  | A B | Plug-button, white                        |
| 14B     | 240383601  | A B | Plug-button, white, door handle           |
| 15      | 240410001  | A B | Door-refr, white, complete assy           |
| 18      | 240339201  | A B | Handle-door, white, refr-LH/frzr-RH       |
| 18A     | 240339206  | A B | Handle-door, white, refr-RH/frzr-LH       |
| 21C     | 218252201  | A B | Screw, #8 truss hd, 10-32CA x 0.500       |
| 22      | 240527101  | A B | Bearing-hinge, natural color              |
| 25      | 5308000716 | A B | Dish, butter                              |
| 26      | 3204522    | A B | Container, egg                            |
| 27      | 240396302  | A B | Snugger, paddle type                      |
| 27A     | 240396102  | A B | Retainer, tall bottle                     |
| 74      | 240383406  | A B | Screw, truss hd quad, #10-16 x .500, zinc |

**CABINET**



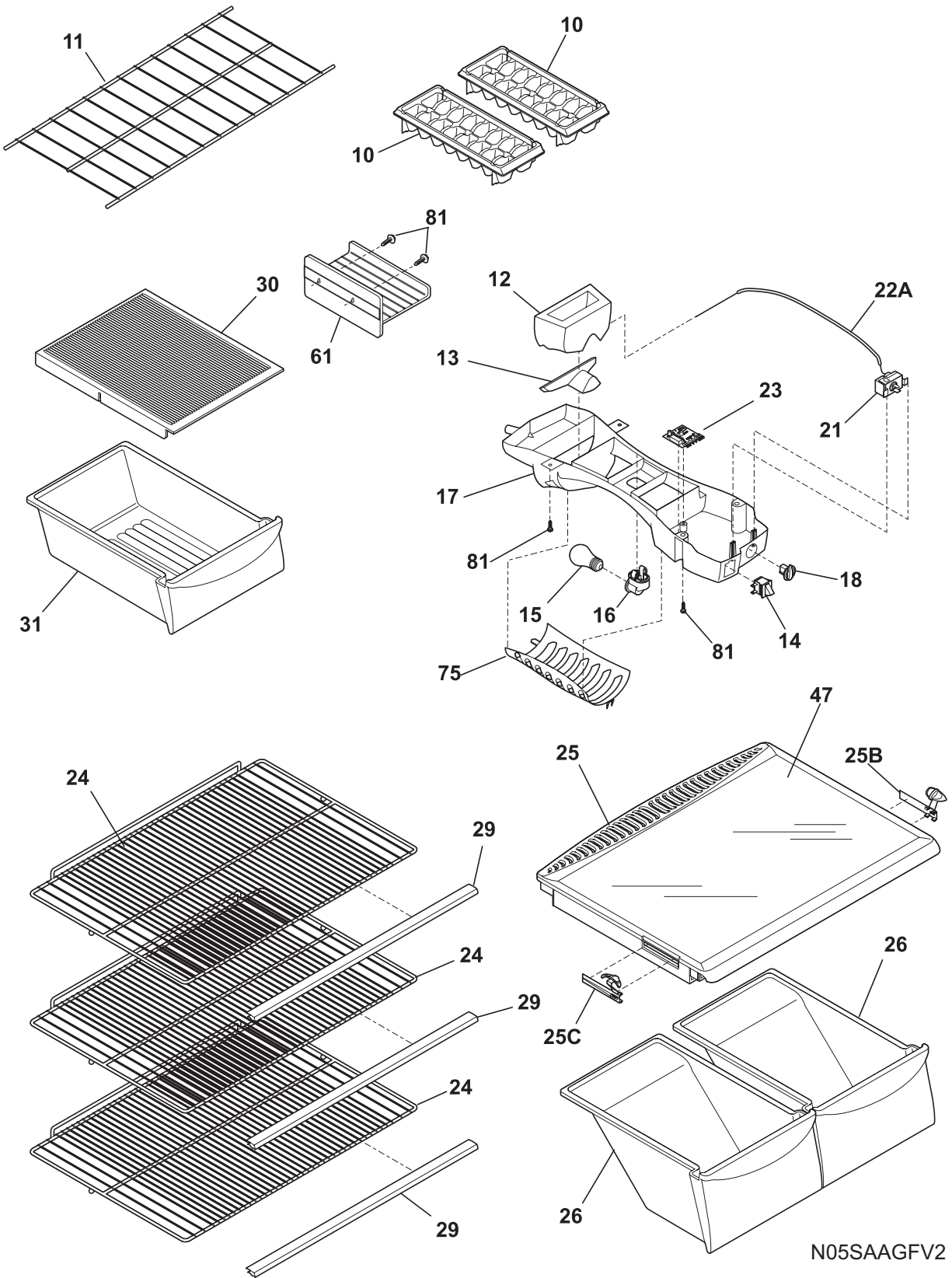
**N05BBAABA17**

**CABINET**

*Model Index:* A FGTD20V4C (FGTD20V4CWD)  
 B FGTD20V4C (FGTD20V4CWE)

| POS. NO | PART NO.   |     | DESCRIPTION  |
|---------|------------|-----|--|
| 1       | 241652301  | A B | Cover-fan  |
| 2       | 240367001  | A B | Knob-damper control  |
| 3       | 5303001028 | A B | Nut, push-on   |
| 4       | 240367401  | A B | Damper-fan cover   |
| 5 #     | 5308000010 | A B | Fan Blade, red, evaporator fan                                 |
| 8       | 5300157666 | A B | Bushing-motor mtg, (2)   |
| 9       | 5303292396 | A B | Bracket-motor mtg, front                                       |
| 10      | 241652214  | A B | Cover-evap coil  |
| 10*     | 240568601  | A B | Seal-coil cover  |
| 10*#    | 241832601  | A B | Harness-wiring, freezer  |
| 11      | 5303208309 | A B | Plug-hole, factory test  |
| 12      | 241557601  | A B | Plug-ice maker harness, rectangular                            |
| 12A     | 240374401  | A B | Plug-wtr inlet tube, round, 1"                                 |
| 12A*    | 241586701  | A B | Plug-foam-wtr-inlet, round                                     |
| 13 #    | 241832301  | A B | Motor-evap fan   |
| 13*     | 215474201  | A B | Washer, "slinger", nylon, evap fan shaft                       |
| 13*     | 218931001  | A B | Clamp-motor wiring, nylon, w/adhesive tape                     |
| 14      | 5303292397 | A B | Bracket-motor mtg, rear  |
| 21C     | 218252201  | A B | Screw, #8 truss hd, 10-32CA x 0.500                            |
| 22      | 215774901  | A B | Plug-button, white, upr hinge holes                            |
| 28      | 241708801  | A B | Bolt-roller adj, hex washer head, 1/4-20 x 4.020, (2), special |
| 30      | 240314011  | A B | Bracket-lower hinge, zinc                                      |
| 34      | 240311303  | A B | Washer, hinge, nylon, (2)                                      |
| 35      | 240313806  | A B | Bracket-ctr hinge, zinc  |
| 35A     | 240336802  | A B | Spacer-hinge, center   |
| 36      | 240516402  | A B | Pin-center hinge   |
| 37      | 241611301  | A B | Trim-cabinet corner, white, (2)                                |
| 38      | 240313701  | A B | Bracket-upper hinge  |
| 40      | 240354401  | A B | Cover-upper hinge, white                                       |
| 41      | 5308009759 | A B | Grommet, shelf mtg, 1.25", LH, (4)                             |
| 42      | 240578902  | A B | Screw-hinge mtg, hex head, 1/4-20 x 5/8                        |
| 43      | 241709301  | A B | Roller Assy, adjustable, front, (2)                            |
| 56      | 240516502  | A B | Pin-lower hinge  |
| 58      | 5304456287 | A B | Screw, hex washer head, 8-15A x 0.500                          |
| 59      | 240442706  | A B | Screw-#10-32 X 3/4, zinc                                       |
| 72      | 240368205  | A - | Grille/Kickplate, white  |
| 72      | 241839405  | - B | Grille/Kickplate, white  |
| 81      | 240433204  | A B | Screw, hex washer head, 8-18 x 5/16                            |
| 82      | 5304418225 | A B | Roller, compressor base, rear, (2)                             |
| 83      | 5304455655 | A B | Rivet, flat head, 1/4 OD x 1-3/4, roller pin                   |
| 89      | 240326119  | A - | Cover-access, with label                                       |
| 89      | 241736402  | - B | Cover-access, w/label  |
| 89*     | 241500304  | A B | Screw, hex washer head, 8-18AB x 0.625                         |
| 92      | 241710601  | A B | Screw, hex washer hd, 1/4 x 7/8, hinge mtg                     |
| *       | 218515401  | A B | Clip   |
| *       | 5303321319 | A B | Paint, touch-up, white   |

**SHELVES**



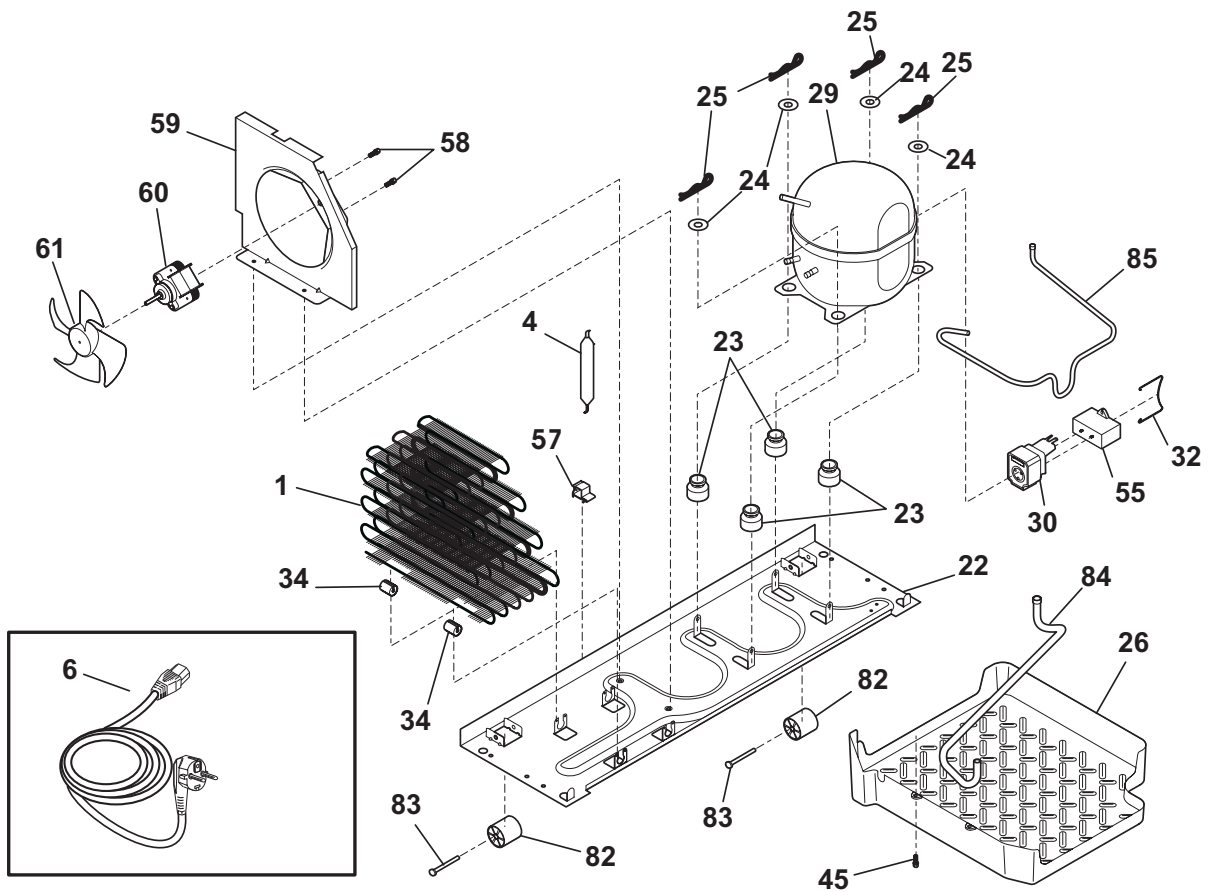
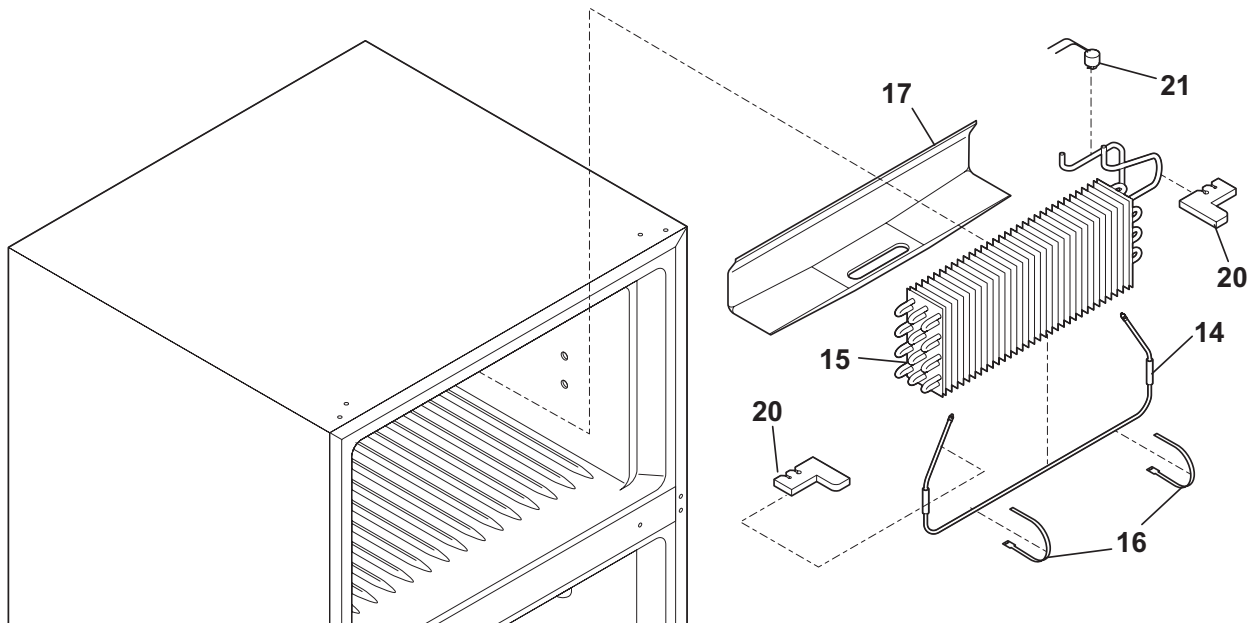
N05SAAGFV2

**SHELVES**

*Model Index:* A FGTD20V4C (FGTD20V4CWD)  
B FGTD20V4C (FGTD20V4CWE)

| POS. NO | PART NO.   |     | DESCRIPTION  |
|---------|------------|-----|--|
| 10      | 215667501  | A B | Tray, ice cube, plastic                              |
| 11      | 240358005  | A B | Shelf, freezer, full-width, wire                     |
| 12      | 240545001  | A B | Diffuser, air, top                                   |
| 13      | 240362601  | A B | Diffuser, air, bottom                                |
| 14      | 241554901  | A B | Switch-light/lamp                                    |
| 15      | 218814401  | A B | Light Bulb   |
| 16 #    | 240433702  | A B | Socket-light/lamp                                    |
| 17      | 240352701  | A B | Control Box  |
| 17*#    | 240375502  | A B | Wiring Harness, control box                          |
| 18      | 240360801  | A B | Knob, temp control                                   |
| 21 #    | 5304458064 | A B | Control-temperature                                  |
| 22A     | 240468201  | A B | Tube, sensor sleeve, 31 inch, plastic, white         |
| 23 #    | 240545405  | A B | Control-defrost, adaptive timer, 220/240 V, PC board |
| 23*     | 5304455649 | A B | Screw-timer mtg, pan hd, 6-20 x 0.438, (2)           |
| 24      | 240360905  | A B | Shelf, sliding, wire                                 |
| 25      | 240364714  | A B | Cover-crisper pan                                    |
| 25B     | 241613501  | A B | Control-humidity, RH                                 |
| 25C     | 241613502  | A B | Control-humidity, LH                                 |
| 26      | 240337103  | A B | Pan-crisper, clear, (2), no graphics                 |
| 29      | 240430708  | A B | Trim-shelf   |
| 30      | 240361801  | A B | Cover, meat pan hanger, drop through                 |
| 31      | 240530811  | A B | Pan-meat, w/o graphics, clear                        |
| 47      | 241711219  | A B | Insert-pan cover, glass                              |
| 61      | 215781501  | A B | Shelf, ice tray mount, wire                          |
| 75      | 240412701  | A B | Shield, light  |
| 81      | 5304455650 | A B | Screw, hex washer head, 8-15A x 0.625, low profile   |

**SYSTEM**



N05CAAABD0

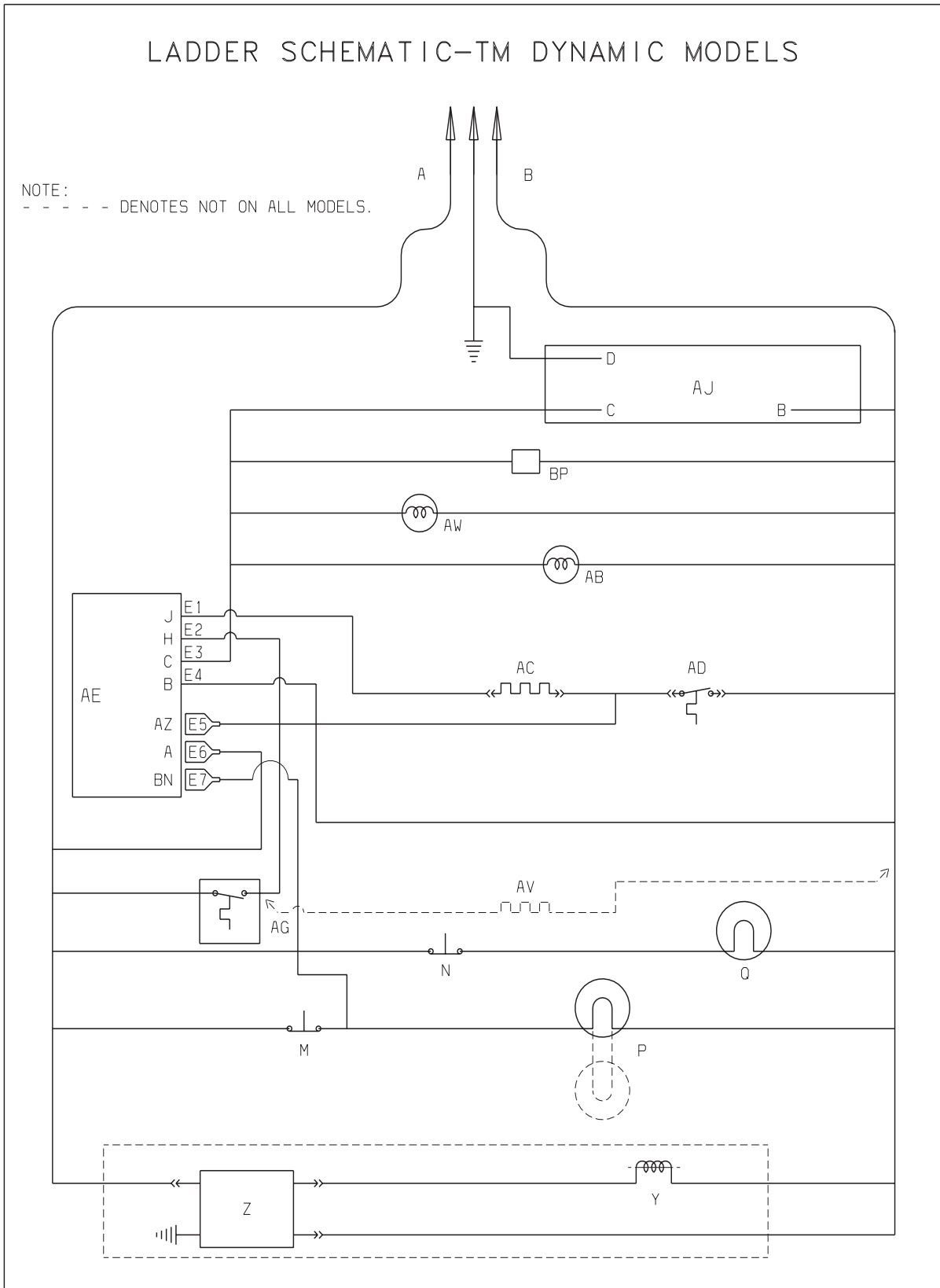


**SYSTEM**

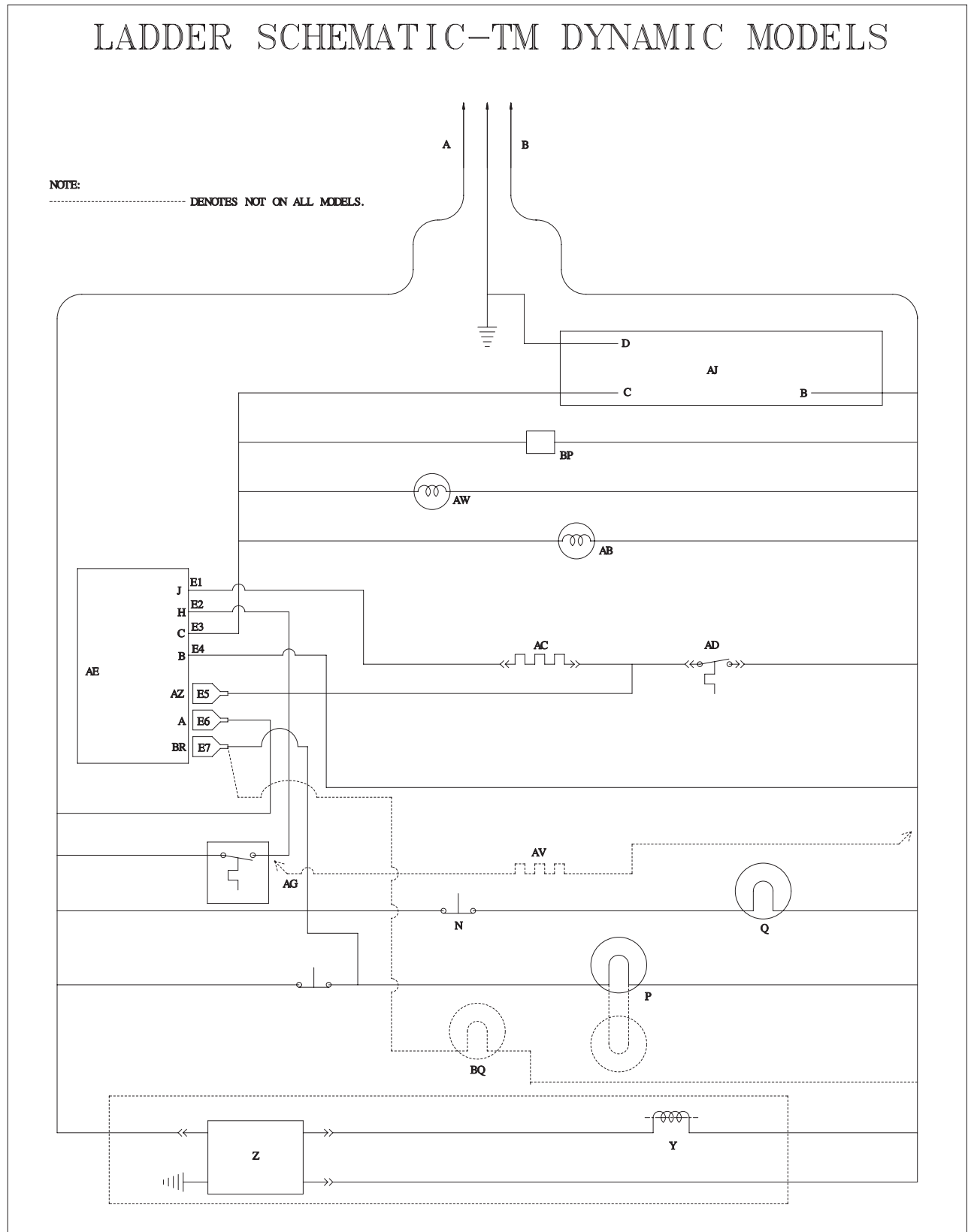
*Model Index:* A FGTD20V4C (FGTD20V4CWD)  
 B FGTD20V4C (FGTD20V4CWE)

| POS. NO | PART NO.   |     | DESCRIPTION                                   |
|---------|------------|-----|---|
| 1 #     | 241785404  | A - | Condenser, dynamic                            |
| 1 #     | 241873404  | - B | Condenser                                     |
| 4 #     | 218944001  | A - | Drier-filter, R134a System                    |
| 4       | 218944002  | - B | Drier-filter, R134a System                    |
| 6 #     | 240449501  | A - | Cord-electric power                           |
| 6 #     | 241723301  | - B | Cord-service                                  |
| 6*      | 241735901  | - B | Cord-service                                  |
| 6*      | 240447102  | A - | Bracket, strain relief                        |
| 6*      | 240447201  | A - | Clamp, strain relief                          |
| 6*      | 240451503  | A B | Screw, ind hex wshr hd, 8-32 x 0.375, trilobe |
| 6*      | 241832601  | A B | Harness-wiring, freezer                       |
| 6* #    | 240375502  | A B | Wiring Harness, control box                   |
| 6* #    | 241626401  | A B | Harness-wiring, machine compt                 |
| 14 #    | 240356216  | A B | Defrost Heater, 220 V                         |
| 15 #    | 5303918274 | A B | Evaporator Kit                                |
| 16      | 5308000110 | A B | Strap-evap/heater, aluminum, (2)              |
| 17      | 241801301  | A B | Trough-drain                                  |
| 20      | 241551901  | A B | Insulation Block                              |
| 21 #    | 5303918202 | A B | Thermostat-defrost, kit                       |
| 22      | 241665606  | A B | Base-compressor                               |
| 22*     | 218252201  | A B | Screw, #8 truss hd, 10-32CA x 0.500           |
| 23      | 218513300  | A B | Grommet-compr mtg, (4)                        |
| 24      | 241812301  | A B | Washer-compr mtg                              |
| 25      | 216056401  | A B | Clip-compressor mtg                           |
| 26      | 241683601  | A B | Pan-defrost                                   |
| 29      | 5303918343 | A B | Compressor, w/electricals                     |
| 30      | 241524610  | A B | Starter-PTC                                   |
| 32      | 240553401  | A B | Clamp, elec cont mtg, compressor              |
| 34      | 240405201  | A B | Grommet, rubber, black, cond tube/wire        |
| 45      | 241500304  | A B | Screw, hex washer head, 8-18AB x 0.625        |
| 55 #    | 218909908  | A B | Capacitor, run                                |
| 57      | 240542601  | A B | Clip-wiring harness                           |
| 58      | 218897004  | A - | Screw, hex washer head, 8-32 x 0.375          |
| 58      | 218897002  | - B | Screw, hex washer head, 8-32 x 0.375          |
| 59      | 5304430246 | A - | Bracket-cond motor assy                       |
| 59      | 241879302  | - B | Shroud-cond fan                               |
| 59*     | 240346701  | A B | Tape-foam seal, shroud                        |
| 59*     | 240359403  | A B | Screw-fan shroud, (2)                         |
| 60 #    | 240525405  | A - | Motor-condenser fan                           |
| 60 #    | 241696603  | - B | Motor-condenser fan                           |
| 61      | 240524101  | A B | Fan Blade, galv steel, condenser fan          |
| 82      | 5304418225 | A B | Roller, compressor base, rear, (2)            |
| 83      | 5304455655 | A B | Rivet, flat head, 1/4 OD x 1-3/4, roller pin  |
| 84      | 240359601  | A B | Tube-drain, lower                             |
| 85      | 240553501  | A - | Tube-connector, suction                       |
| 85      | 241856901  | - B | Tube-connector, suction                       |
| *       | 240396801  | A B | Clamp, tube/wiring, nylon, black/natural      |
| *       | 5303918263 | A B | Heat Exchanger Kit, suction line              |
| * #     | 5303918241 | A B | Hot Tube Repair Kit, 220 V, service           |

WIRING SCHEMATIC

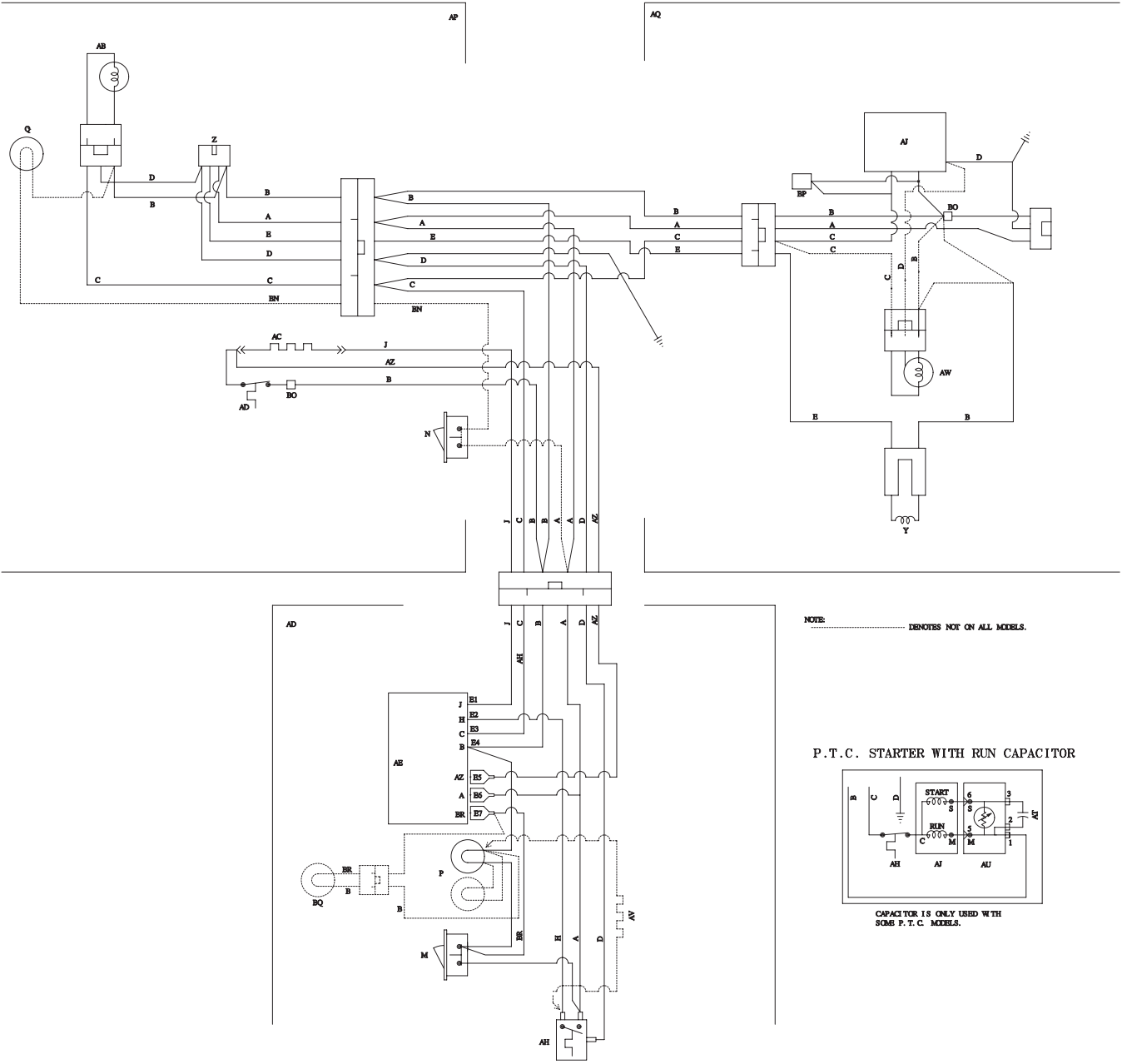


WIRING SCHEMATIC



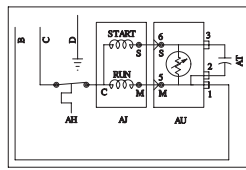


WIRING DIAGRAM



NOTE: ..... DENOTES NOT ON ALL MODELS.

P.T.C. STARTER WITH RUN CAPACITOR



CAPACITOR IS ONLY USED WITH SOME P. T. C. MODELS.

241845601